

Material:

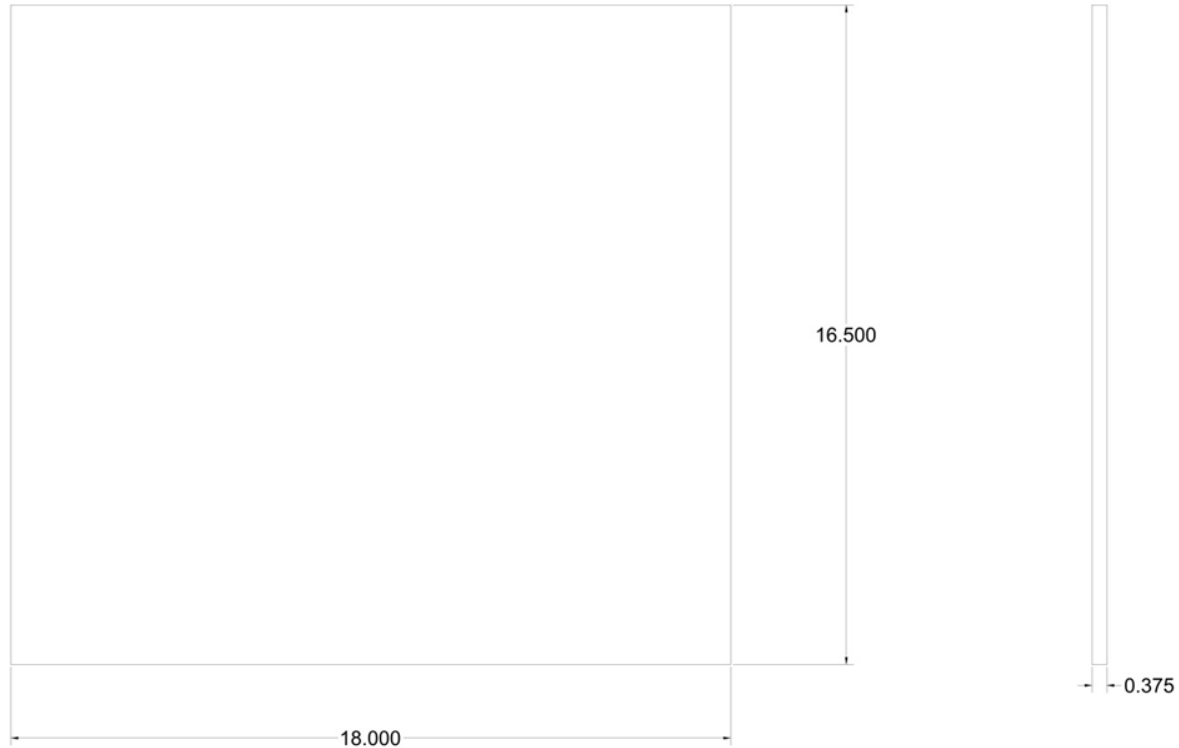
3/8" Plate

Number Required:

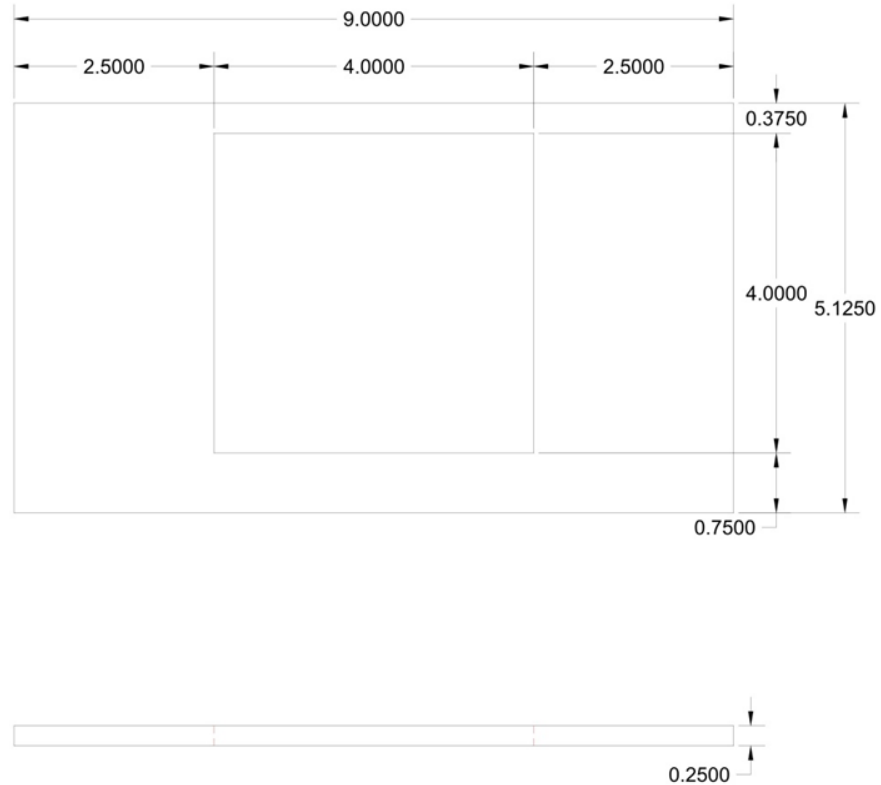
1

Process Notes:

Plasma Cut Perimeter



Sym	Revision Record	Date	Tolerances (Except as noted) Decimals: .xxx +/- .005" Fractional: .xx +/- 1/32" Angular +/- 1°	Date:	1/13/12	Part Number:	12001
				Scale:	1/4	Title:	Back Plate
				Drawn By:	NIT	Project Name:	Spelt Dehuller



Sym

Revision Record

Date

Tolerances

(Except as noted)

Decimals:

.xxx +/- .005"

Fractional:

.xx +/- 1/32"

Angular +/- 1°

Date:

1/18/12

Scale:

1/2

Drawn By:

NIT

Part Number:

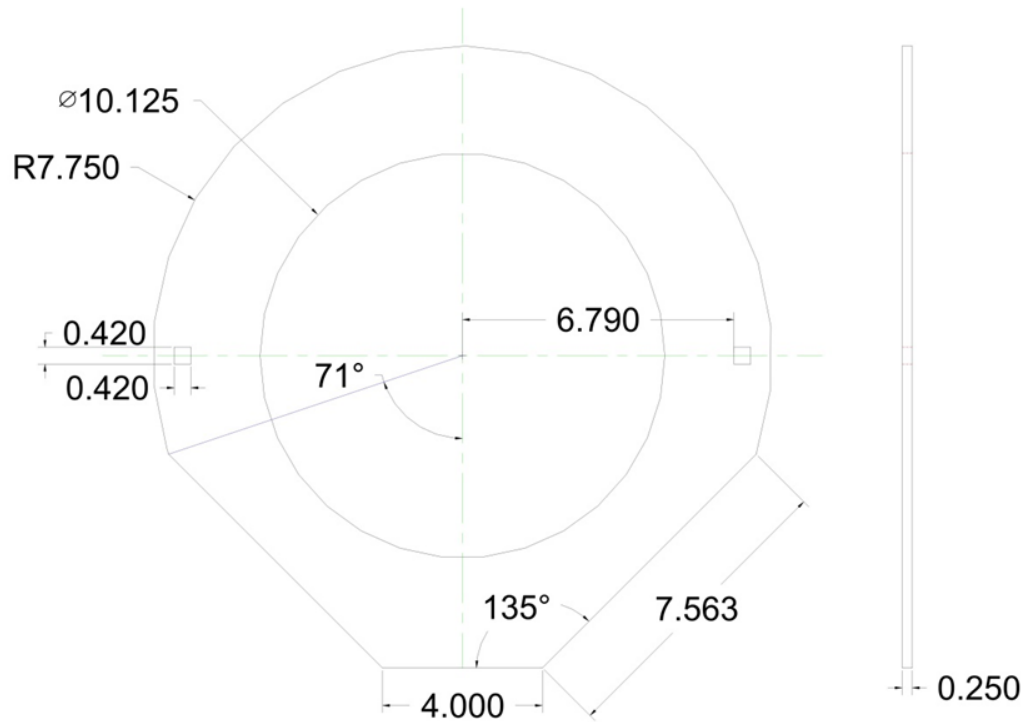
12003

Title:

Aspirator Mount

Project Name:

Spelt Dehuller



Sym

Revision Record

Date

Tolerances

(Except as noted)

Decimals:

.xxx +/- .005"

Fractional:

.xx +/- 1/32"

Angular +/- 1°

Date:

1/25/12

Scale:

1/4

Drawn By:

NIT

Part Number:

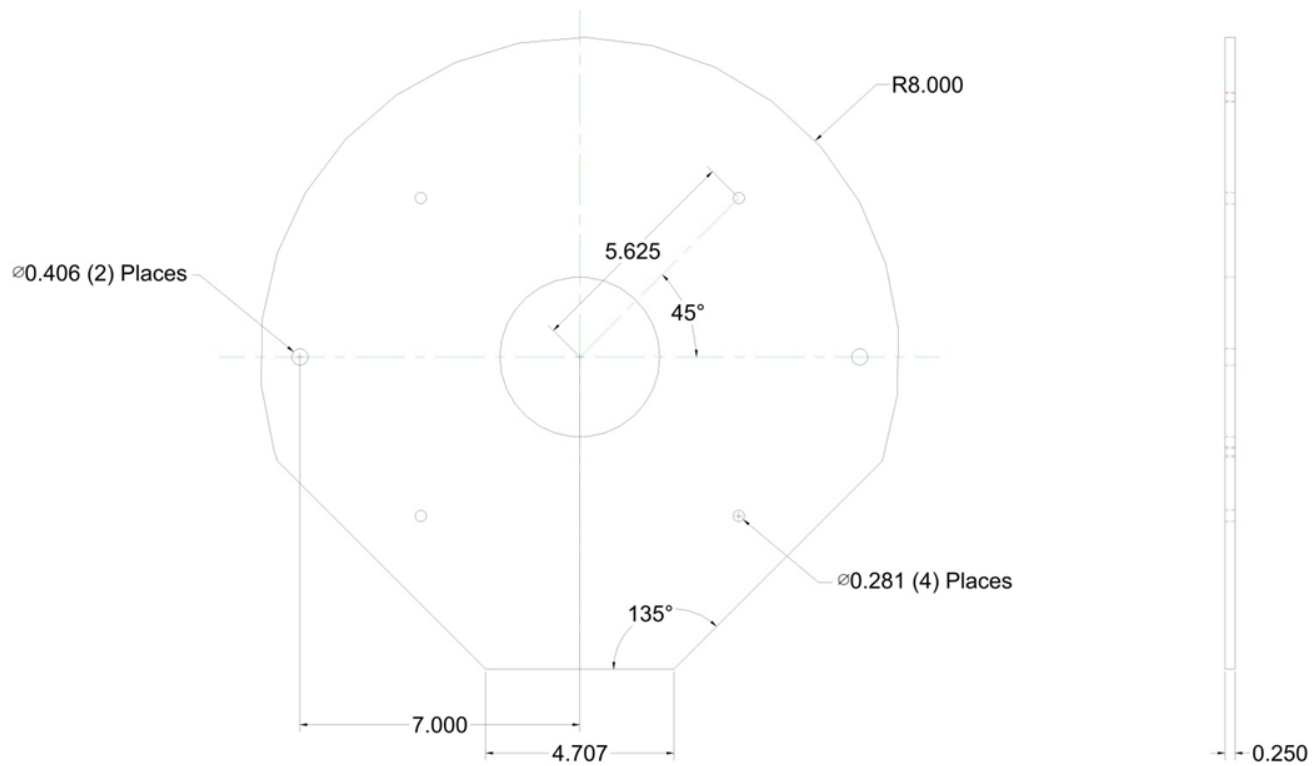
12011

Title:

Front Screen Holder

Project Name:

Spelt Dehuller



Sym

Revision Record

Date

Tolerances

(Except as noted)

Decimals:

.xxx +/- .005"

Fractional:

.xx +/- 1/32"

Angular +/- 1°

Date:

7/29/12

Scale:

1/4

Drawn By:

NIT

Part Number:

12015

Title:

Front Cover

Project Name:

Spelt Dehuller